

Sheet: Epaper

MOSI	>	DIN
SCLK	>	CLK
DISP_CS	>	CS
DISP_DC	>	DC
DISP_RST	>	RST
DISP_BUSY	>	BUSY

File: Epaper.sch

Sheet: Power

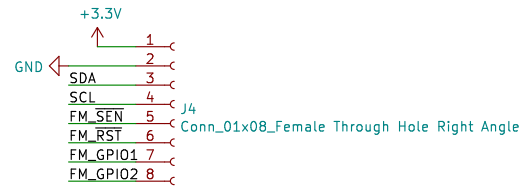
V_BAT	>	V_BAT
-------	---	-------

File: power.sch

Sheet: Accelerometer

SCL	>	SCL
SDA	>	SDA

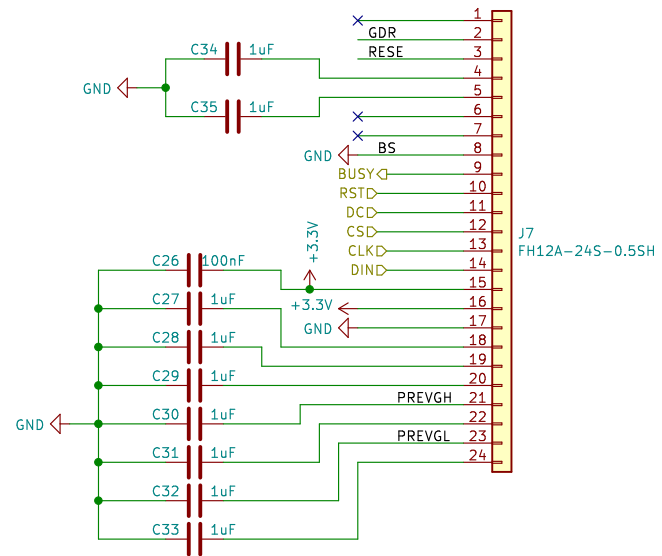
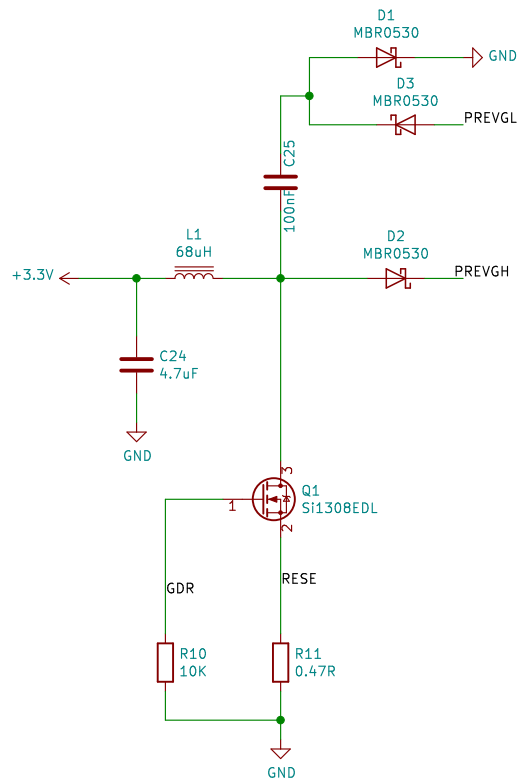
File: accelerometer.sch



Sheet: /
File: badge2.sch

Title:

Size: A4	Date:	Rev:
KiCad E.D.A. kicad (5.1.5)-3		Id: 1/4



Sheet: /Epaper/
File: Epaper.sch

Title:

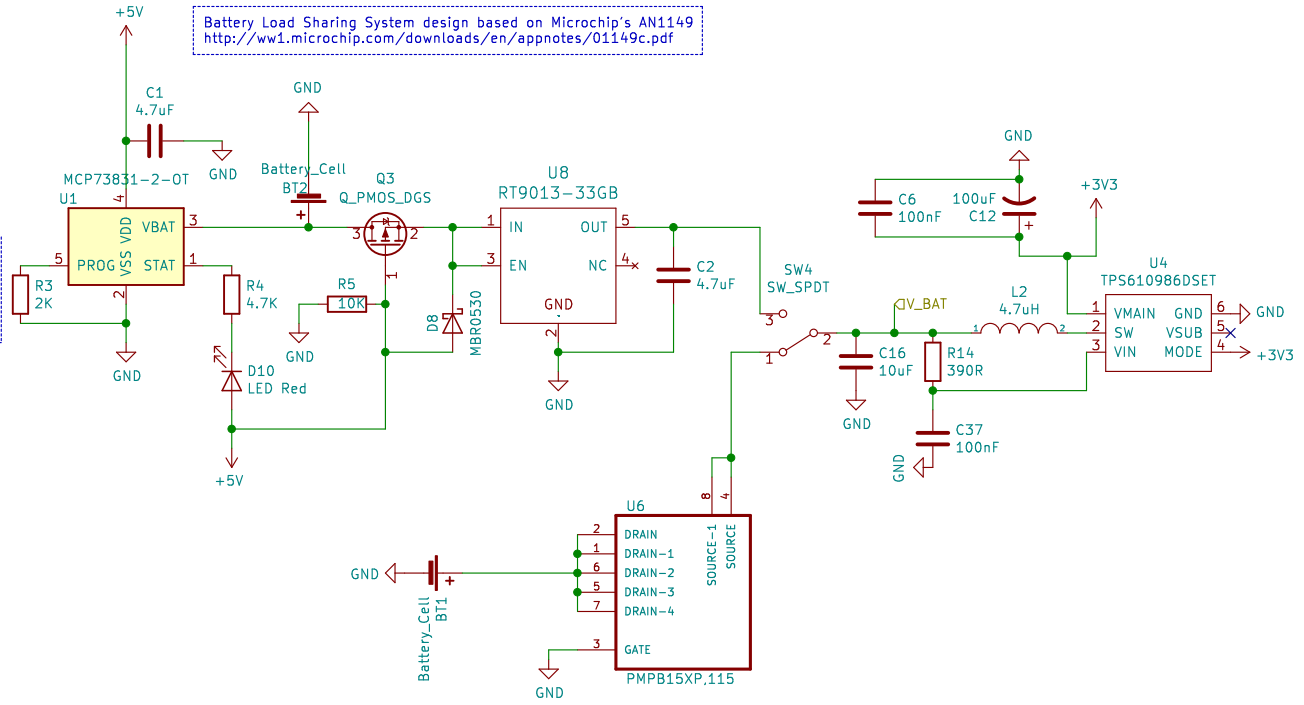
Size: A4
KiCad E.D.A. kicad (5.1.5)-3

Date:

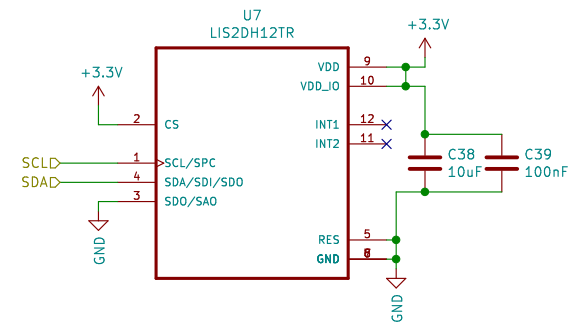
Rev:
Id: 2/4

R3 determines the charge rate of the LiPo:
 $R(Q) = 1000 / \text{max current (A)}$
 Examples:
 • 2k Ω for 500mA
 • 10k Ω for 100mA

Battery Load Sharing System design based on Microchip's AN1149
<http://ww1.microchip.com/downloads/en/appnotes/01149c.pdf>



Sheet: /Power/	
File: power.sch	
Title:	
Size: A4	Date:
KiCad E.D.A. kicad (5.1.5)-3	Rev:
	Id: 3/4



Sheet: /Accelerometer/
 File: accelerometer.sch

Title:

Size: A4

Date:

KiCad E.D.A. kicad (5.1.5)-3

Rev:

Id: 4/4